

RCD Fused Spurs - 10mA Passive

10
mA

Passive

- Mechanically latched (does not need resetting after a power loss)
- High intensity LED power on indicator, clear visual indicator of power on
- Mechanical flag trip indicator
- Integral cord outlet and cable clamp
- Fuse holder can be locked out for safety
- Twin earth terminals

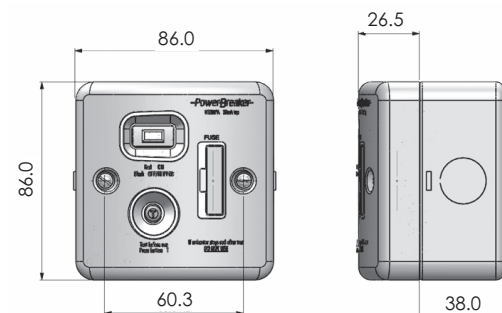
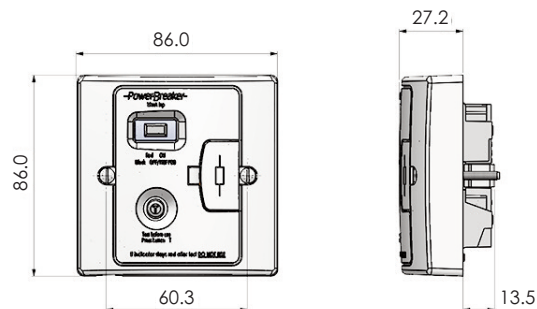
Technical Data

Voltage	230V AC ~ 50Hz
Max operating current	13A (13A inductive)
Rated trip current	10mA
Typical trip speed	Less than 20mS (typical)
RCD contact break	Double pole
Latching	Mechanical, no need to reset after power loss (Passive)
Responsive to	Pulsating DC earth faults
Conforms to	BS 1363-4:1995 Amd 1, 2, 3 and BS 7288:1990 Amd 1
EMC Emissions	EN 55014-1:2006 & EN 55014-1:2000 inc A1:2001 & A2:2002
EMC Immunity	EN 61543:1996 inc A11:2003, A12:2005 & A2:2006

**'Make first
break last contact
- prevents nuisance
tripping further upstream'**

**'Super Sensitive
- 10mA'**

Part No	Description
H92WPAPN10-C	RCD Fused Spur Scratch resistant urea front plate Fits 25mm standard back box
H92MPAPN10-C	RCD Fused Spur Complete with metal back box



**10mA trip
current RCD
gives a high level
of protection -
An Ideal application
for Schools,
Nurserys, Hospitals
& outdoor areas**



+44 (0) 1279 772 772



+44 (0) 1279 422 007