

# RCD Fused Spurs - 30mA Active

30 mA

Active

Portable

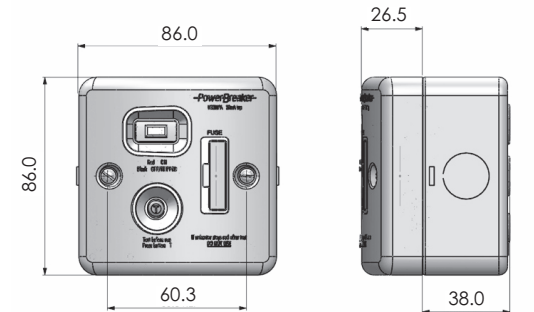
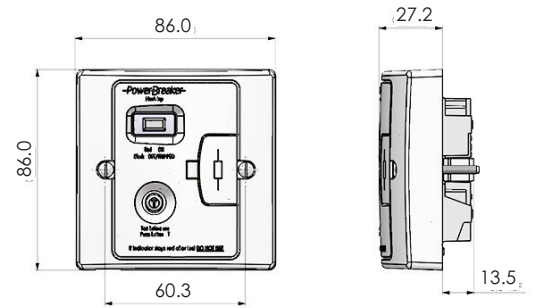
- Electrical latching - Needs to be reset after power failure
- High intensity LED power on indicator, clear visual indicator of power on
- Mechanical flag trip indicator
- Integral cord outlet and cable clamp
- Fuse holder can be locked out for safety
- Twin earth terminals

## Technical Data

Voltage	230V AC ~ 50Hz
Max operating current	13A (13A inductive)
Rated trip current	30mA
Typical trip speed	Less than 20mS (typical)
RCD contact break	Double pole
Latching	Electrical, needs to be reset after power failure (Active)
Responsive to	Pulsating DC earth faults
Conforms to	BS 1363-4:1995 Amd 1, 2, 3 and BS 7288:1990 Amd 1
EMC Emissions	EN 55014-1:2006 & EN 55014-1:2000 inc A1:2001 & A2:2002
EMC Immunity	EN 61543:1996 inc A11:2003, A12:2005 & A2:2006



Part No	Description
<b>H92WPAAN-C</b>	RCD Fused Spur Scratch resistant urea front plate Fits 25mm standard back box
<b>H92MPAAN-C</b>	RCD Fused Spur Complete with metal back box



# RCD Plug & Adaptor - 30mA

Part No	Description
<b>J72A-C</b>	RCD Plug Single button test/reset operation Large easy to see trip indicator Typical trip speed <40mS Conforms to: BS 7071:1992, EN 61543:1995
<b>J02A-C</b>	RCD Adaptor Single button test/reset operation Large easy to see trip indicator Typical trip speed <40mS Conforms to: BS 7071:1992, EN 61543:1995

